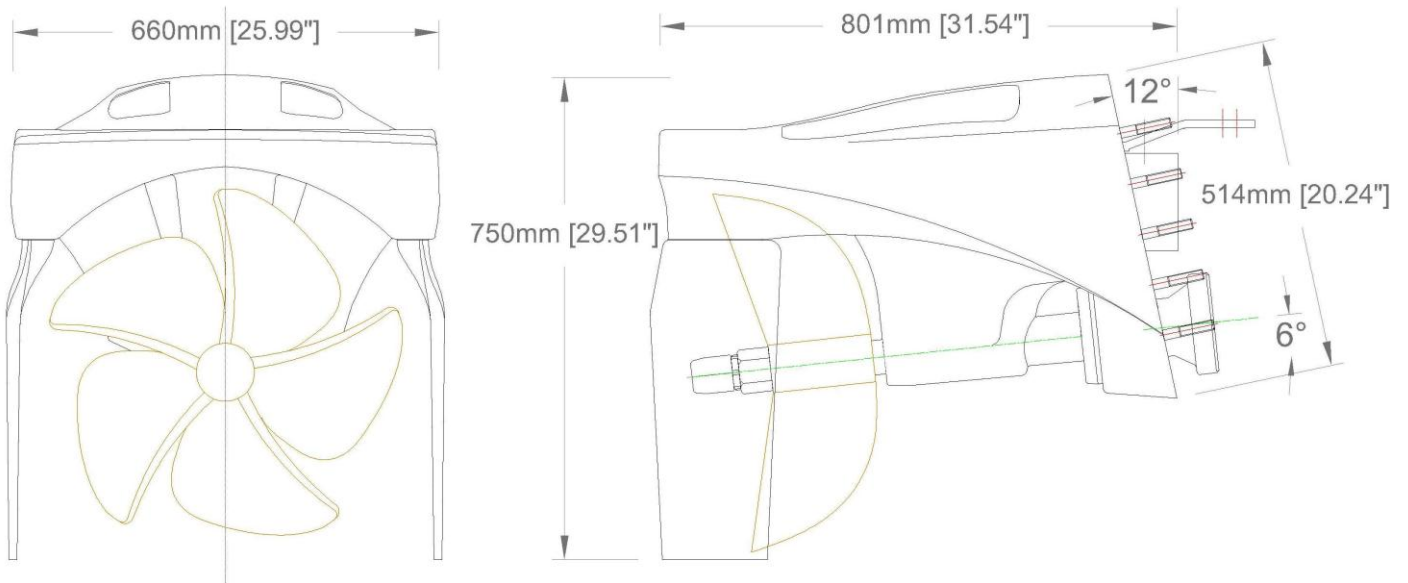


Q-SPD

Technical Specification

New for 2012
SD80-F

Dimensions:



Specification:

Model	SD80-F
Shaft Diameter	1.75" (45mm)
Max Propeller Diameter	24" (610mm)
Exhaust Diameter	5" (127mm)
Max Rudder Angle	35° + 35°
Steering Tiller Stroke	8" (204mm)
Max Thrust	12 kN
Max Torque	1,000 Nm*
Weight	80 kg (excl propeller)

Materials:

Main Housing	Eglass/Epoxy Infused
Main Shaft	AS22 HS
Rudders and Tillers	Nibral
Thrust Housing and Coupling	Stainless Steel 316L
Fasteners	Stainless Steel 316
Thrust Bearing Type	QJ212
Water Lubed Shaft Bearing	Thordon XL
Main Shaft Seal	Single Water Lubricated Lip Seal

* Pleasure/Light Duty application

** Specification subject to change

Options:

- Mechanical Tie Bar
- Intermediate Flexible Drive Shaft

www.q-spd.com

Designed and manufactured by:
Q-Marine International Ltd
Auckland, New Zealand
email: sales@q-spd.com