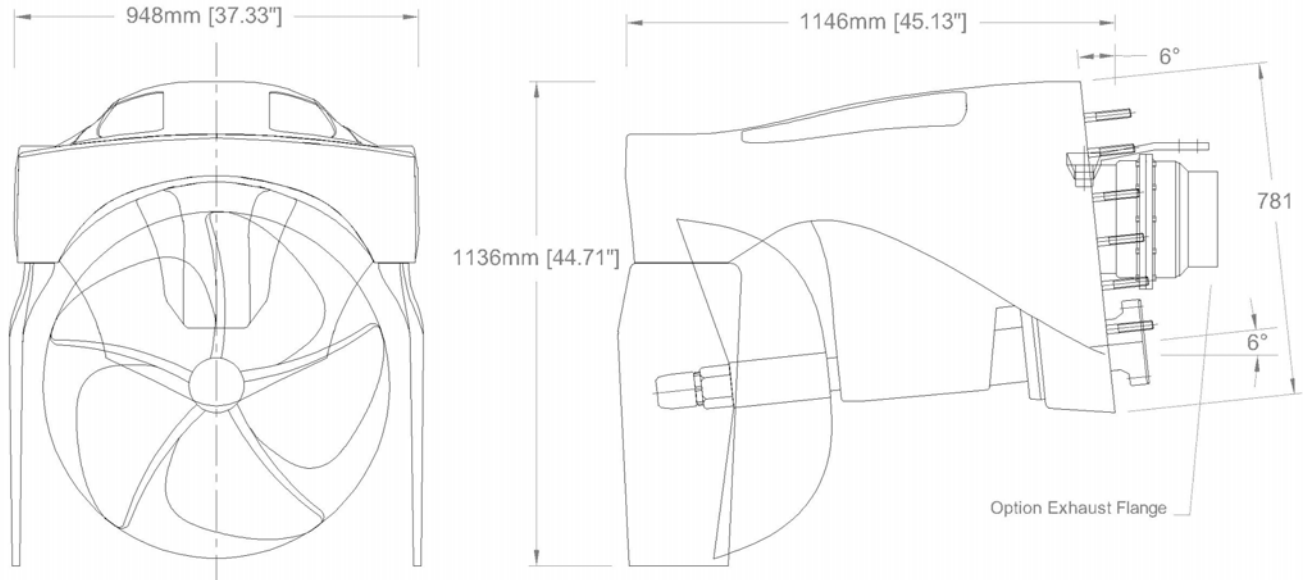


Q-SPD

Technical Specification

SD275-F

Dimensions:



Specification:

Model	SD275-F
Shaft Diameter	2.75" (70mm)
Max Propeller Diameter	34" (864mm)
Exhaust Diameter	10" (204mm) 8" with flange adapter
Max Rudder Angle	35° + 35°
Steering Tiller Stroke	12" (304mm)
Max Thrust	30 kN
Max Torque	4,000 Nm*
Weight	260 kg (excl propeller)

Materials:

Main Housing	Eglass/Epoxy Infused
Main Shaft	AS22 HS
Rudders and Tillers	Nibral
Thrust Housing and Coupling	Stainless Steel 316L
Fasteners	Stainless Steel 316
Thrust Bearing Type	QJ219
Water Lubed Shaft Bearing	Thordon XL
Main Shaft Seal	Single Water Lubricated Lip Seal

* Pleasure/Light Duty application

** Specification subject to change

Options:

- Exhaust Flange Adapter
- Mechanical Tie Bar

www.q-spd.com

Designed and manufactured by:

Q-Marine International Ltd
Auckland, New Zealand
email: sales@q-spd.com