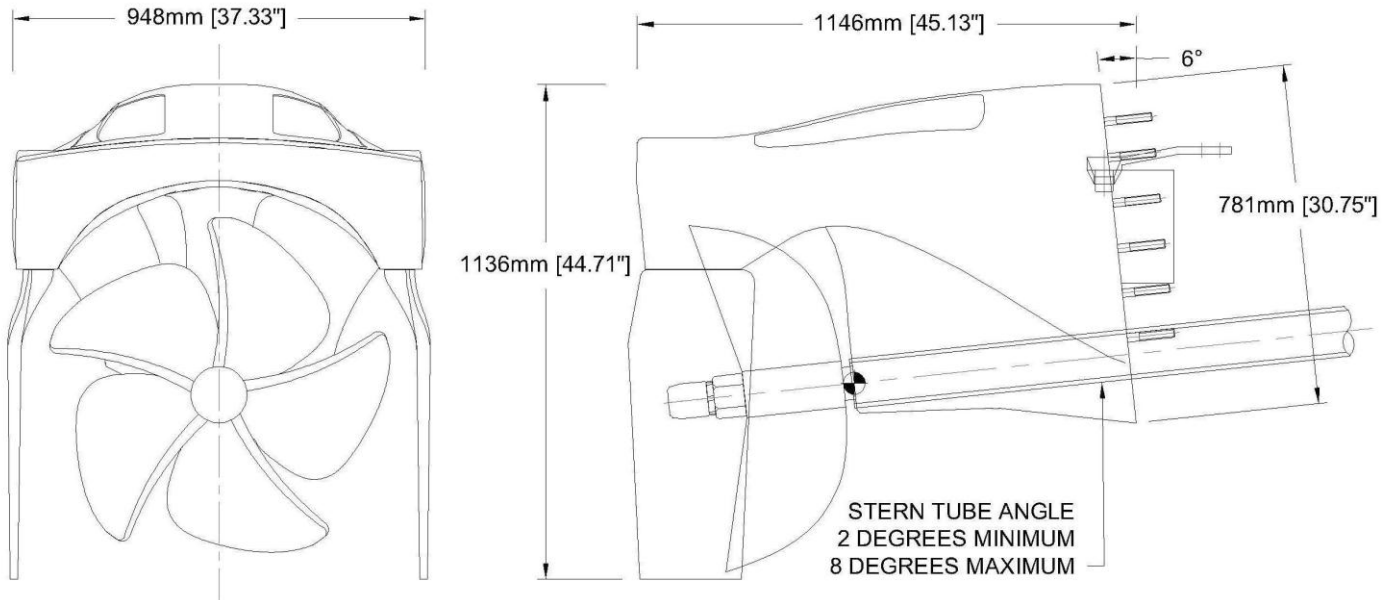


# Q-SPD

## Technical Specification

### **SD275-D : SD300-D : SD325-D : SD350-D**

#### Dimensions:



#### Specification:

Model	SD275-D	SD300-D	SD325-D	SD350-D
Shaft Diameter (length to suit application)	2.75"	3"	3.25"	3.5"
Max Propeller Diameter	34" (865mm)			
Exhaust Diameter	10" (204mm) or 8" with Flange Adapter			
Max Rudder Angle	35° + 35°			
Steering Tiller Stroke	12" (304mm)			
Max Thrust	By Application			
Max Torque*	4000 Nm	5200 Nm	6700 Nm	8300 Nm
Weight	200kg (excl propeller and propeller shaft)			

#### Materials:

Main Housing	Eglass/Epoxy Infused
Main Shaft	AS22 or SAF2205
Rudders and Tillers	Nibral
Fasteners	Stainless Steel 316 or 304
Water Lubricated Shaft Bearing	Rubber Cutlass Bearing
Main Shaft Seal	Q-SEAL - Flexible Stern Gland, Single Lip Seal

\* Pleasure/Light Duty

\*\* Specification subject to change.

#### Options:

- Exhaust Flange Adapter/Reducer
- Mechanical Tie Bar

[www.q-spd.com](http://www.q-spd.com)

Designed and manufactured by:

**Q-Marine International Ltd**

Auckland, New Zealand

Email: [sales@q-spd.com](mailto:sales@q-spd.com)