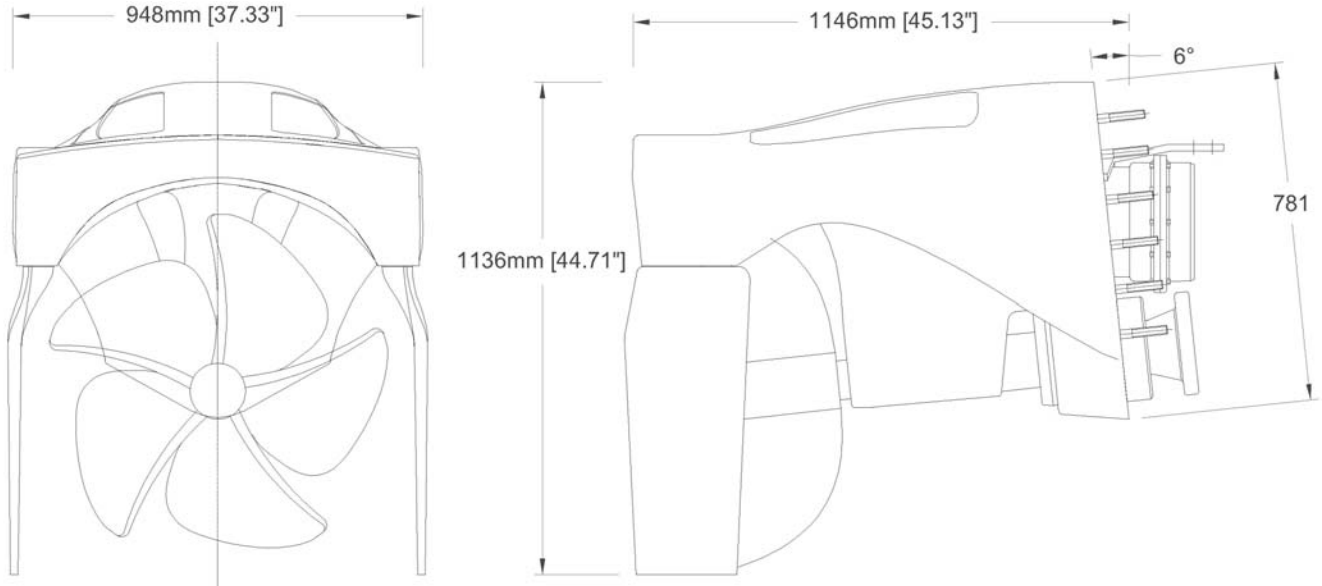


# Q-SPD

## Technical Specification

### SD350-F

#### Dimensions:



#### Specification:

Model	SD350-F
Shaft Diameter	3.5" (90mm)
Max Propeller Diameter	34" (865mm)
Exhaust Diameter	10" (204mm)
Max Rudder Angle	35° + 35°
Steering Tiller Stroke	12" (304mm)
Max Thrust	40 kN
Max Torque	8,400 Nm*
Weight	310 kg (excl propeller)

#### Materials:

Main Housing	Eglass, Carbon Fibre, Epoxy
Main Shaft	AS22 HS
Rudders and Tillers	Nibral
Thrust Housing and Coupling	Stainless Steel 316L
Fasteners	Stainless Steel 316
Thrust Bearing Type	QJ222
Water Lubed Shaft Bearing	Thordon XLS
Main Shaft Seal	Single Water Lubricated Lip Seal

\* Pleasure/Light Duty application

\*\* Specification subject to change

#### Options:

- Exhaust Flange Adapter
- Mechanical Tie Bar

[www.q-spд.com](http://www.q-spд.com)

Designed and manufactured by:  
**Q-Marine International Ltd**  
Auckland, New Zealand  
email: sales@q-spд.com