

### Overview:

The QSD1 series is a fully integrated propulsion solution that requires the least maintenance and less often than any other propulsion plus offers superior performance at all speeds. Manufactured from marine friendly materials it is very light weight and very strong, enabling a wide range of power for recreational and commercial applications.

All vital mechanics and components are situated inboard away from the harmful elements. Oil lubricated thrust bearing is water cooled and exhaust is also accommodated for on all models with optional flange fittings. All QSD1 drives are supplied with intermediate shaft and Q-SPD specified custom designed propeller and manual or power steering to match application thus completing the full propulsion solution.

The QSD1 series is offered in 4 ratings that typically will suit engine power from 200hp and up to 1100hp in single, twin and multiple drive configurations.



### Specifications and Ratings

Model Name	QSD 102	QSD 120	QSD 125	QSD 130
Transom Mounting Angle	12°			
Shaft Diameter	2.00" (50.8mm)	2.25"	2.50" (63.5mm)	2.75"
Max Propeller Diameter	25" (635mm)		26" (660mm)	
Exhaust Diameter	6" (152mm)			
Rudder Angle	35° + 35°			
Steering	Manual or Power Hydraulic		Power Hydraulic	
Max. Nom. Torque	1200Nm	1700 Nm	3200 Nm	4200Nm
Nom. Weight (excl. propeller)	85 kg	90 kg	95 kg	110kg

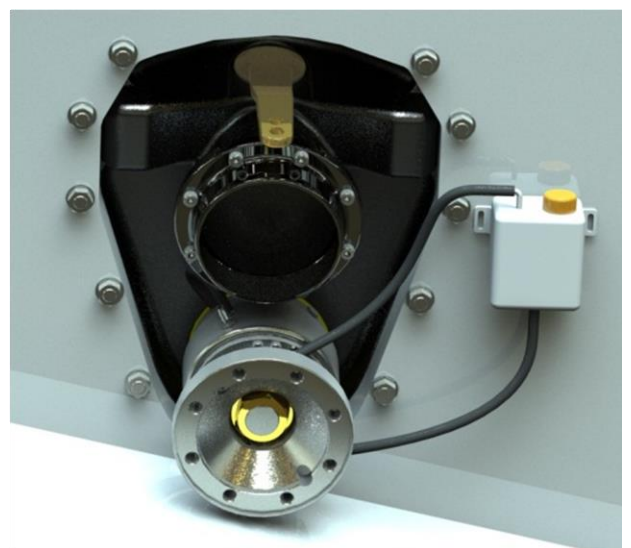
### Materials and Features

Main Housing	Eglass/CF/Epoxy
Main Shaft	SAF2205
Rudders and Tillers	Nibral
Thrust Housing and Coupling	Stainless Steel 316
Fasteners	Stainless Steel 316
Shaft and Rudder Bearing	Water Lubricated
Main Shaft Seal	Single Rotary Lip Seal

\*\* Specification subject to change

### Optional Equipment:

- Alternative steering options
- Exhaust Flange Adapter
- Full Exhaust system design and build
- Adapter for 6 degree transom



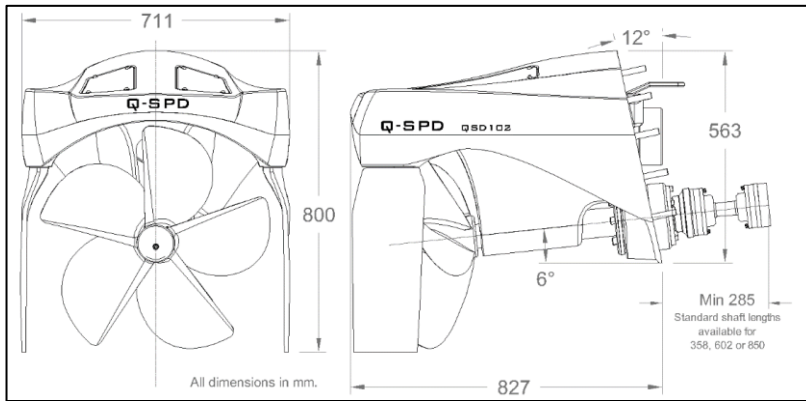
[www.q-spd.com](http://www.q-spd.com)

Manufactured by:

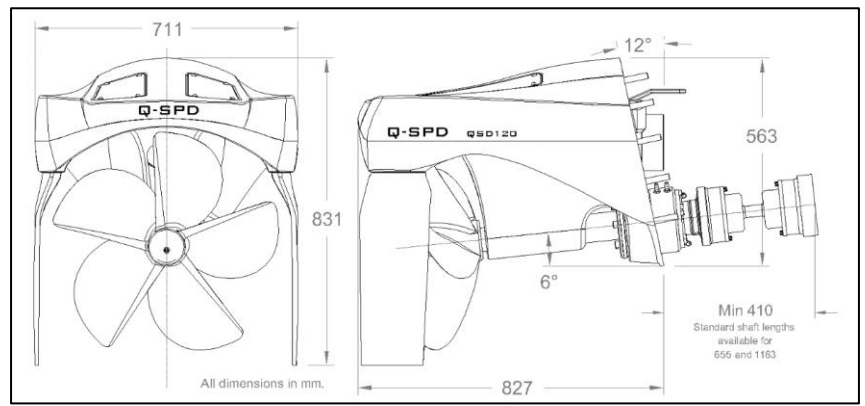
Q-Marine International Ltd, Auckland, New Zealand, Ph: +64 9 4485801. Email: [info@q-spd.com](mailto:info@q-spd.com)

© Copyright 2015-2018, Q-Marine International Ltd

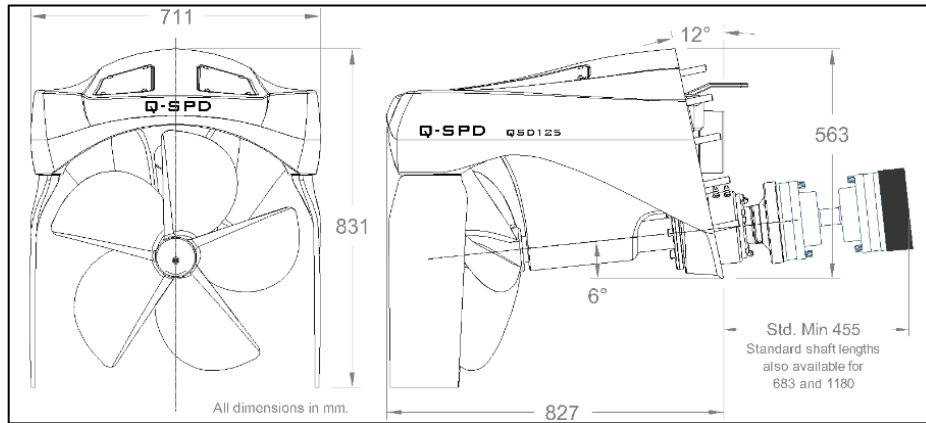
**QSD102**



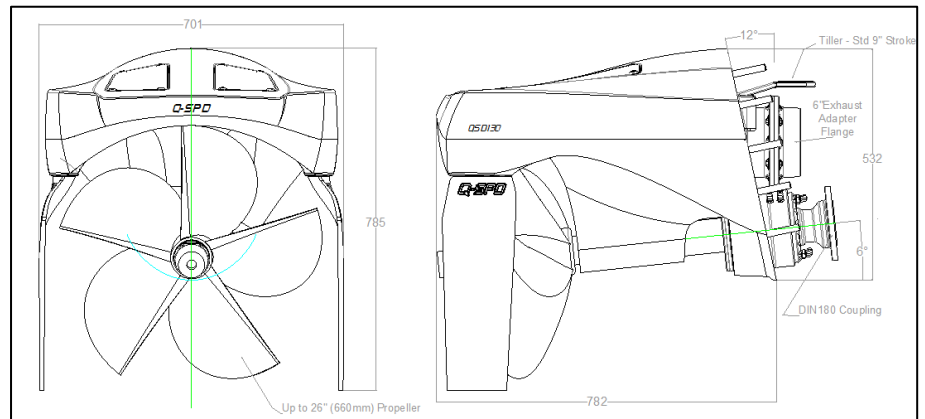
**QSD120**



**QSD125**



**QSD130**



[www.q-spd.com](http://www.q-spd.com)