

Overview

The QSD3 series is a fully integrated propulsion solution that requires the least maintenance and less often than any other propulsion plus offers superior performance at all speeds. Manufactured from marine friendly materials it is very light weight and very strong, enabling a wide range of power for recreational and commercial applications.

All vital mechanics and components are situated inboard away from the harmful elements. Oil lubricated thrust bearing is water cooled and exhaust is also accommodated for on all models with optional flange fittings. QSD3 solutions are supplied complete with intermediate drive shafts and Q-SPD specified custom designed propellers. Standard or custom power steering and exhaust system options are available as required.

The QSD3 series is offered in 4 rating versions that will typically suit engine power from 800hp to over 2000hp depending on the vessel specification.



Specifications and Ratings

Model Name	QSD325	QSD 352	QSD356	QSD 360
Transom Mounting	6°			
Shaft Diameter	3.25" (82.6mm)	3.50" (88.9mm)	4.00" (102mm)	3.50" or 4.00"
Max Propeller Diameter	36" (915mm)			41" (1040mm)
Exhaust Diameter	10" (254mm)		12" (304mm)	
Rudder Angle	35° + 35°			
Steering	Power Hydraulic or Electro hydraulic options			
Nom. Torque	5800 Nm	8300 Nm	11,000 Nm	11,000 Nm
Nom. Weight (excl.	290 kg	320 kg	350Kg	390 kg

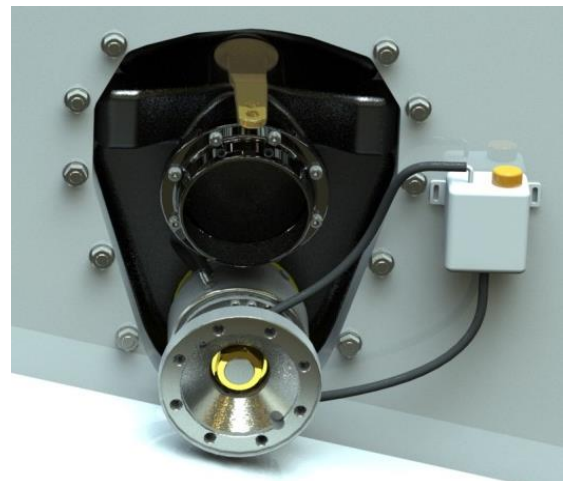
Materials

Main Housing	Eglass/CF/Epoxy
Main Shaft	SAF2205
Rudders and Tillers	Nibral
Thrust Housing and Coupling	Stainless Steel 316L
Fasteners	Stainless Steel 316
Main Shaft Bearing	Water Lubricated
Main Shaft Seal	Single Rotary Lip Seal

** Specification subject to change

Optional Equipment:

- Alternative steering options
- Exhaust Flange Adapter
- Full Exhaust system design and build

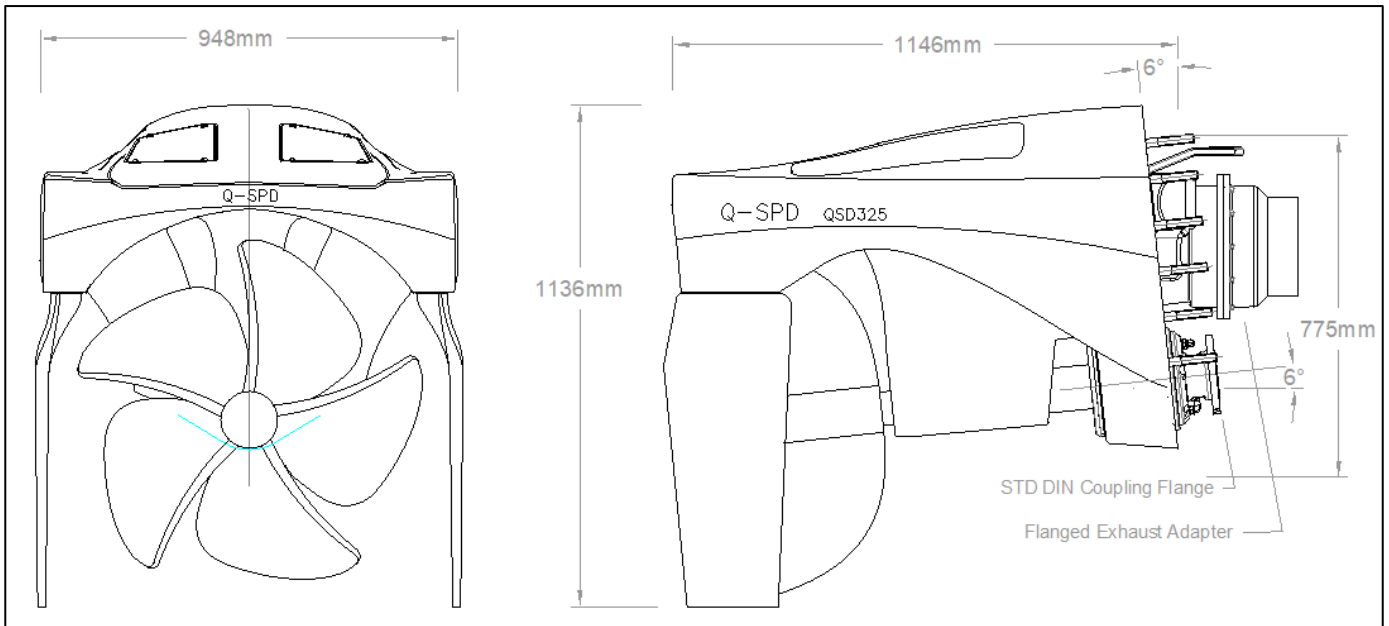


www.q-spd.com

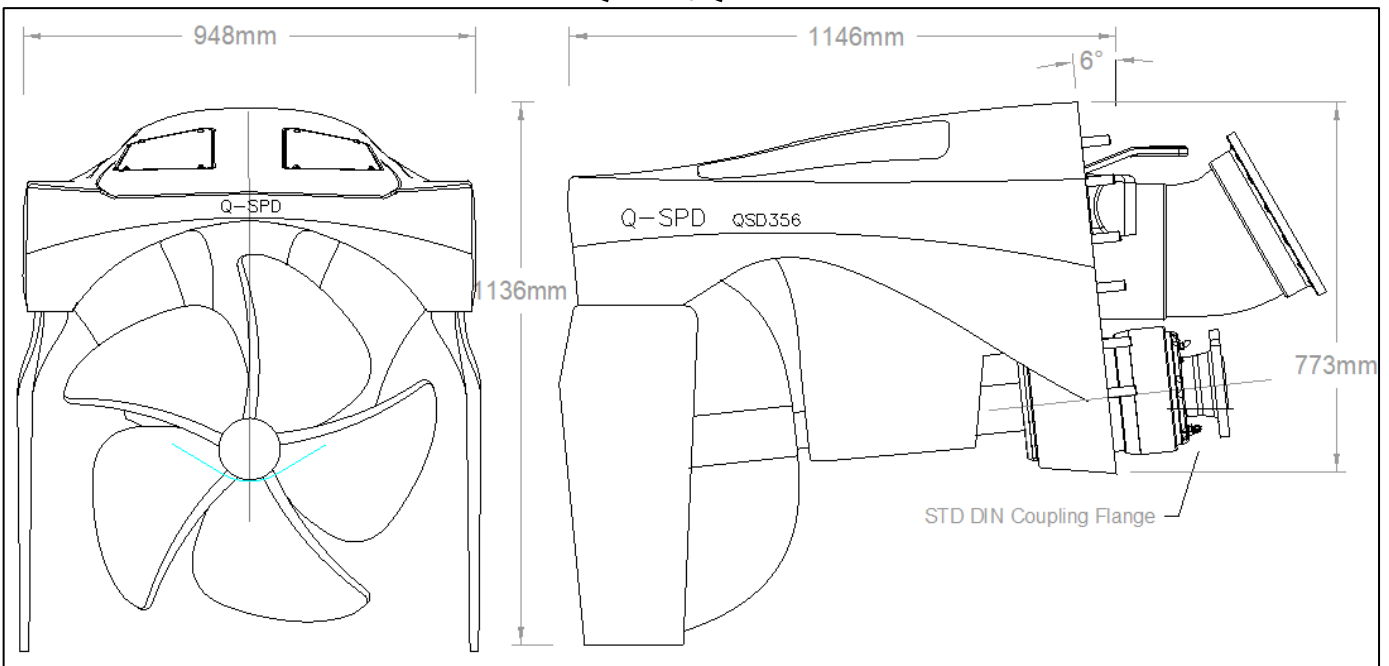
Manufactured by :

Q-Marine International Ltd, Auckland, New Zealand, Ph: +64 9 4485801. Email: info@q-spd.com

QSD325



QSD352 / QSD356



*Specification Subject to change

www.q-spd.com

Manufactured by:
Q-Marine International Ltd, Auckland, New Zealand, Ph: +64 9 4485801. Email: info@q-spd.com